



**Fogge**

Industrial Equipments

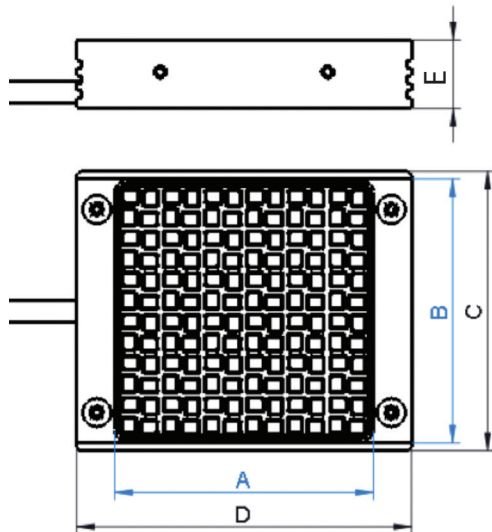
LED LIGHTS  
FOR MACHINE  
VISION  
APPLICATIONS  
**PRODUCT CATALOGUE**

[www.fogegmbh.com](http://www.fogegmbh.com)



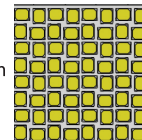
# VL-BLC High Intensity Compact Backlight (30 to 200mm)

- Maximum LED density for highest light intensity
- Compact design for small areas
- Polycarbonate, robust diffuser
- Cooling grooves for higher lifetime

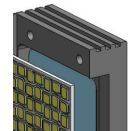


### Features

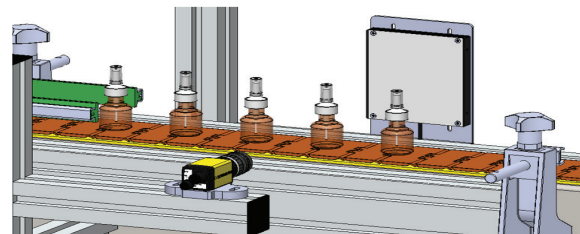
Complex LED allocation for high and diffuse illumination



Thermal film for heat transfer



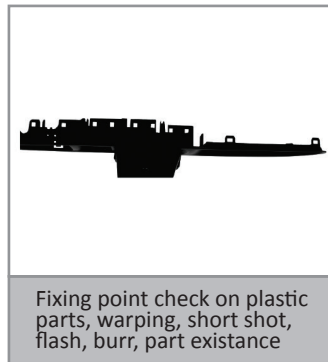
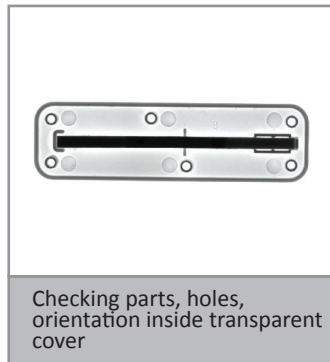
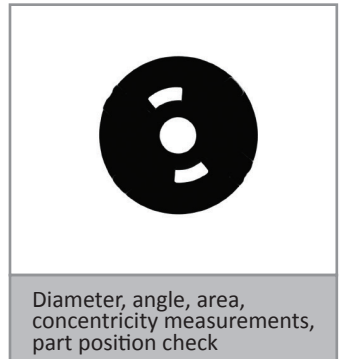
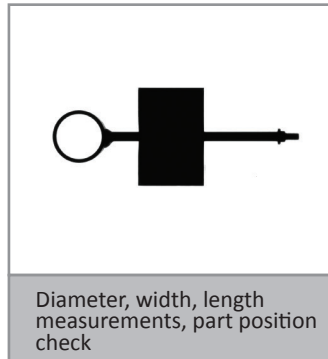
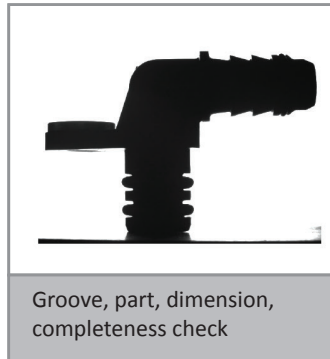
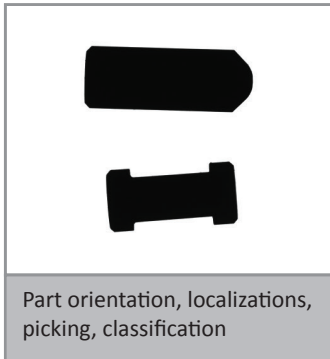
### How to use



## Product Types

Model	Color	Wavelength/Color Temperature	Power Supply	Power Consumption	IP Rating (Option: IP67)	Connection	A(mm)	B(mm)	C(mm)	D(mm)	E(mm)	Housing Material	Light Angle (°)
VL-BLC-30-30-R-24-C30	R	625nm	24VDC	1.2W	IP50	M8 4 pin w 300mm cable	30	30	37	48	13,5	Aluminum (Black, Anodized)	120°
VL-BLC-30-30-W-24-C30	W	6500K	24VDC	1.4W	IP50	M8 4 pin w 300mm cable	30	30	37	48	13,5	Aluminum (Black, Anodized)	120°
VL-BLC-30-60-R-24-C30	R	625nm	24VDC	2.2W	IP50	M8 4 pin w 300mm cable	30	60	37	79	13,5	Aluminum (Black, Anodized)	120°
VL-BLC-30-60-W-24-C30	W	6500K	24VDC	2.7W	IP50	M8 4 pin w 300mm cable	30	60	37	79	13,5	Aluminum (Black, Anodized)	120°
VL-BLC-50-50-R-24-C30	R	625nm	24VDC	2.2W	IP50	M8 4 pin w 300mm cable	50	50	55	66	13,5	Aluminum (Black, Anodized)	120°
VL-BLC-50-50-W-24-C30	W	6500K	24VDC	3W	IP50	M8 4 pin w 300mm cable	50	50	55	66	13,5	Aluminum (Black, Anodized)	120°
VL-BLC-60-60-R-24-C30	R	625nm	24VDC	4.5W	IP50	M8 4 pin w 300mm cable	60	60	68	79	13,5	Aluminum (Black, Anodized)	120°
VL-BLC-60-60-W-24-C30	W	6500K	24VDC	5.5W	IP50	M8 4 pin w 300mm cable	60	60	68	79	13,5	Aluminum (Black, Anodized)	120°
VL-BLC-75-40-R-24-C30	R	625nm	24VDC	2.7W	IP50	M8 4 pin w 300mm cable	75	40	46	91	13,5	Aluminum (Black, Anodized)	120°
VL-BLC-75-40-W-24-C30	W	6500K	24VDC	3.7W	IP50	M8 4 pin w 300mm cable	75	40	46	91	13,5	Aluminum (Black, Anodized)	120°
VL-BLC-90-90-R-24-C30	R	625nm	24VDC	9.5W	IP50	M8 4 pin w 300mm cable	90	90	99	110	13,5	Aluminum (Black, Anodized)	120°
VL-BLC-90-90-W-24-C30	W	6500K	24VDC	13W	IP50	M8 4 pin w 300mm cable	90	90	99	110	13,5	Aluminum (Black, Anodized)	120°
VL-BLC-75-120-R-24-C30	R	625nm	24VDC	8W	IP50	M8 4 pin w 300mm cable	75	120	91	126	13,5	Aluminum (Black, Anodized)	120°
VL-BLC-75-120-W-24-C30	W	6500K	24VDC	11W	IP50	M8 4 pin w 300mm cable	75	120	91	126	13,5	Aluminum (Black, Anodized)	120°
VL-BLC-50-150-R-24-C30	R	625nm	24VDC	6,5W	IP50	M8 4 pin w 300mm cable	50	150	55	164	13,5	Aluminum (Black, Anodized)	120°
VL-BLC-50-150-W-24-C30	W	6500K	24VDC	8.5W	IP50	M8 4 pin w 300mm cable	50	150	55	164	13,5	Aluminum (Black, Anodized)	120°
VL-BLC-100-100-R-24-C30	R	625nm	24VDC	8.5W	IP50	M8 4 pin w 300mm cable	100	100	104	116	13,5	Aluminum (Black, Anodized)	120°
VL-BLC-100-100-W-24-C30	W	6500K	24VDC	11W	IP50	M8 4 pin w 300mm cable	100	100	104	116	13,5	Aluminum (Black, Anodized)	120°
VL-BLC-120-120-R-24-C30	R	625nm	24VDC	17W	IP50	M8 4 pin w 300mm cable	120	120	130	141	13,5	Aluminum (Black, Anodized)	120°
VL-BLC-120-120-W-24-C30	W	6500K	24VDC	21W	IP50	M8 4 pin w 300mm cable	120	120	130	141	13,5	Aluminum (Black, Anodized)	120°
VL-BLC-150-150-R-24-C30	R	625nm	24VDC	19W	IP50	M8 4 pin w 300mm cable	150	150	153	164	13,5	Aluminum (Black, Anodized)	120°
VL-BLC-150-150-W-24-C30	W	6500K	24VDC	23W	IP50	M8 4 pin w 300mm cable	150	150	153	164	13,5	Aluminum (Black, Anodized)	120°
VL-BLC-200-200-R-24-C30	R	625nm	24VDC	34W	IP50	M8 4 pin w 300mm cable	200	200	202	213	13,5	Aluminum (Black, Anodized)	120°
VL-BLC-200-200-W-24-C30	W	6500K	24VDC	44W	IP50	M8 4 pin w 300mm cable	200	200	202	213	13,5	Aluminum (Black, Anodized)	120°

## Sample Applications



## Accessories

	Suitable Product	Ordering Code	Accessories Image
1	VL-BLC-30-30-W-24-C30	VL-BLC-BR-01	
2	VL-BLC-30-30-R-24-C30		
3	VL-BLC-50-50-W-24-C30	VL-BLC-BR-02	
4	VL-BLC-50-50-R-24-C30	VL-BLC-BR-03	
5	VL-BLC-75-120-W-24-C30		
6	VL-BLC-75-120-R-24-C30	VL-BLC-BR-04	
7	VL-BLC-100-100-W-24-C30		
8	VL-BLC-100-100-R-24-C30		

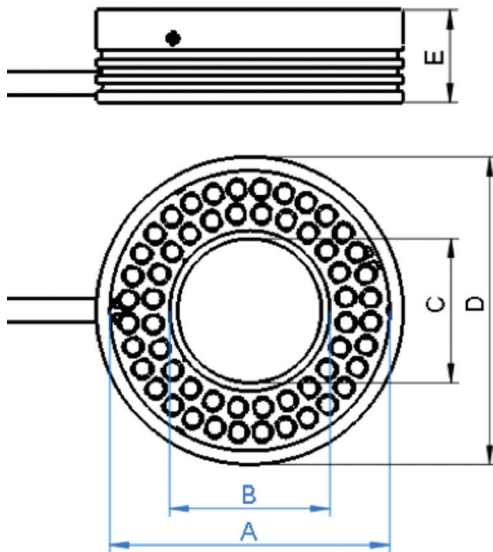
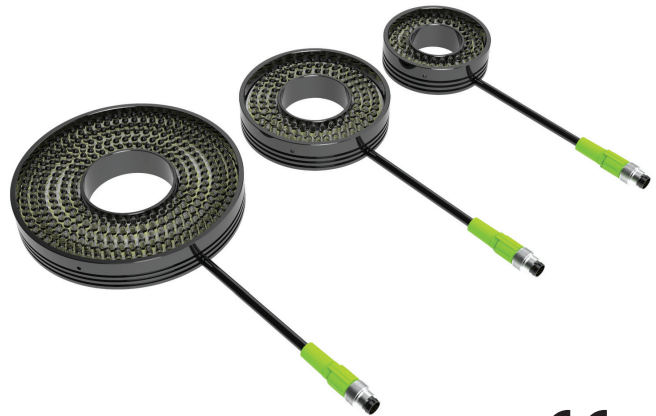


## Electrical Connection

	Cable	Ordering Code	Drawing/Connection
1	M8 female 0° with cable PVC 4x0.25 bk UL/CSA 3m	7000-08061-6110300	
2	M8 female 0° with cable PVC 4x0.25 bk UL/CSA 5m	7000-08061-6110500	
3	M8 female 90° with cable PVC 4x0.25 bk UL/CSA 3m	7000-08101-6110300	
4	M8 female 90° with cable PVC 4x0.25 bk UL/CSA 5m	7000-08101-6110500	

## VL-RGF Direct Ring Light

- Low angle high power clear LEDs for maximum power and working range specification
- 3mm leds for diffuse illumination
- Max led density for high light intensity
- Cooling grooves for higher lifetime
- RGA Series with 30 degree angle

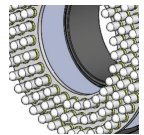


### Features

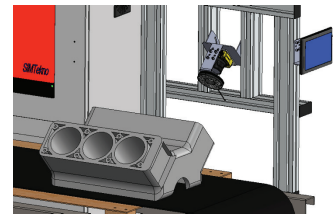
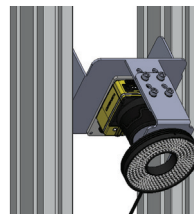
Complex LED allocation for high and diffuse illumination



Thermal film for heat transfer



### How to use

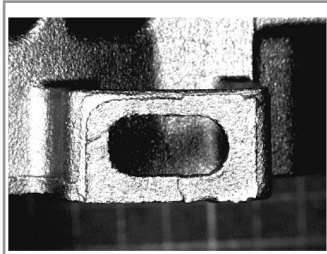


### Product Types

Model	Color	Wavelength/Color Temperature	Power Supply	Power Consumption	IP Rating (Option: IP67)	Connection	A(mm)	B(mm)	C(mm)	D(mm)	E(mm)	Housing Material	Light Angle (°)
VL-RGF-51-30-R-24-C30	R	660nm	24VDC	1.7W	IP50	M8 4 pin w 300mm cable	51	30	26,5	56,5	17	Aluminum (Black, Anodized)	30°
VL-RGF-51-30-W-24-C30	W	9000K	24VDC	2.7W	IP50	M8 4 pin w 300mm cable	51	30	26,5	56,5	17	Aluminum (Black, Anodized)	30°
VL-RGF-70-38-R-24-C30	R	660nm	24VDC	3.4W	IP50	M8 4 pin w 300mm cable	70	38	34,5	75,5	17	Aluminum (Black, Anodized)	30°
VL-RGF-70-38-W-24-C30	W	9000K	24VDC	5 W	IP50	M8 4 pin w 300mm cable	70	38	34,5	75,5	17	Aluminum (Black, Anodized)	30°
VL-RGF-100-45-R-24-C30	R	660nm	24VDC	8 W	IP50	M8 4 pin w 300mm cable	100	45	41	105,5	17	Aluminum (Black, Anodized)	30°
VL-RGF-100-45-W-24-C30	W	9000K	24VDC	12 W	IP50	M8 4 pin w 300mm cable	100	45	41	105,5	17	Aluminum (Black, Anodized)	30°
Model	Color	Wavelength/Color Temperature	Power Supply	Power Consumption		Connection	A(mm)	B(mm)	C(mm)	D(mm)	E(mm)	Housing Material	Light Angle (°)
VL-RGA-51-30-R-24-C30	R	660nm	24VDC	1.7W	IP50	M8 4 pin w 300mm cable	51	30	26,5	56,5	17	Aluminum (Black, Anodized)	30°
VL-RGA-51-30-W-24-C30	W	9000K	24VDC	2.7W	IP50	M8 4 pin w 300mm cable	51	30	26,5	56,5	17	Aluminum (Black, Anodized)	30°
VL-RGA-70-38-R-24-C30	R	660nm	24VDC	3.4W	IP50	M8 4 pin w 300mm cable	70	38	34,5	75,5	17	Aluminum (Black, Anodized)	30°
VL-RGA-70-38-W-24-C30	W	9000K	24VDC	5W	IP50	M8 4 pin w 300mm cable	70	38	34,5	75,5	17	Aluminum (Black, Anodized)	30°
VL-RGA-100-45-R-24-C30	R	660nm	24VDC	8W	IP50	M8 4 pin w 300mm cable	100	45	41	105,5	17	Aluminum (Black, Anodized)	30°
VL-RGA-100-45-W-24-C30	W	9000K	24VDC	12W	IP50	M8 4 pin w 300mm cable	100	45	41	105,5	17	Aluminum (Black, Anodized)	30°



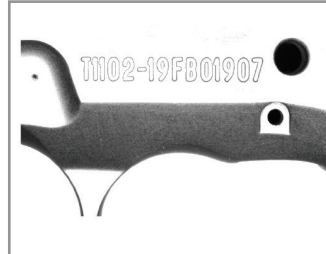
## Sample Applications



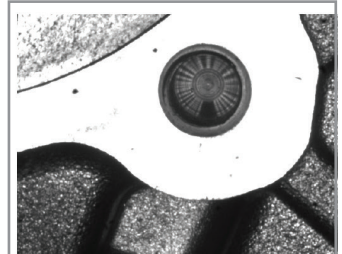
Part defect detection, positioning, part checking



OCR on metal moulded parts, aluminium part defect detection



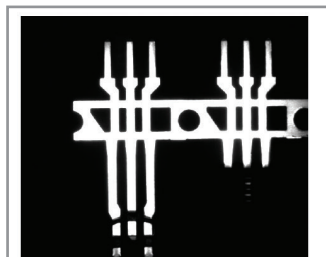
OCR, datamatrix code reading on metal parts marked with laser, inkjet markers



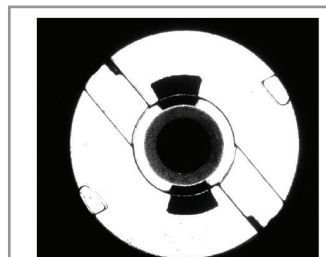
Hole, defect detection on machined metal parts



Missing part detection inside box, part positioning



Metal part completeness check, positioning



Picking applications, angle, position detection, part identification



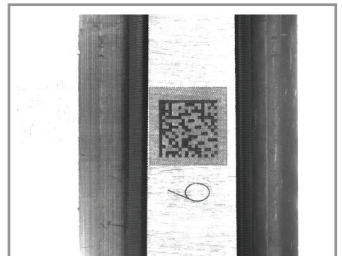
Concentricity measurement, part identification, part positioning

## Accessories

	Suitable Product	Ordering Code	Accessories Image
1	VL-RGF-51-30-W-24-C30	VL-RGF-BR-01	
2	VL-RGF-51-30-R-24-C30		
3	VL-RGF-70-38-W-24-C30	VL-RGF-BR-02	
4	VL-RGF-70-38-R-24-C30		
5	VL-RGF-100-45-W-24-C30		
6	VL-RGF-100-45-R-24-C30		



ID Read on metal part dot peen marked



ID Read on metal part printed with laser

## Electrical Connection

	Cable	Ordering Code	Drawing/Connection
1	M8 female 0° with cable PVC 4x0.25 bk UL/CSA 3m	7000-08061-6110300	
2	M8 female 0° with cable PVC 4x0.25 bk UL/CSA 5m	7000-08061-6110500	
3	M8 female 90° with cable PVC 4x0.25 bk UL/CSA 3m	7000-08101-6110300	
4	M8 female 90° with cable PVC 4x0.25 bk UL/CSA 5m	7000-08101-6110500	

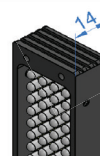
## VL-BAR Compact Bar Light (51 to 305mm)

- Compact mechanical design
- Low angle high power clear leds for maximum power and working distance
- Diffuser, polariser accessories
- 3mm leds for diffuse illumination
- Max led density for high light intensity
- Cooling grooves for higher lifetime

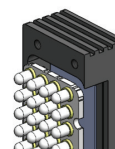


### Features

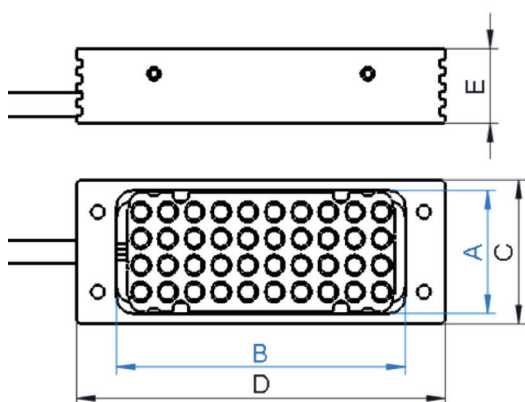
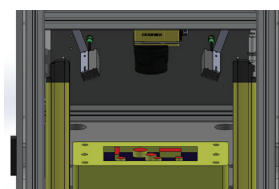
Slim, compact design



Thermal film for heat transfer



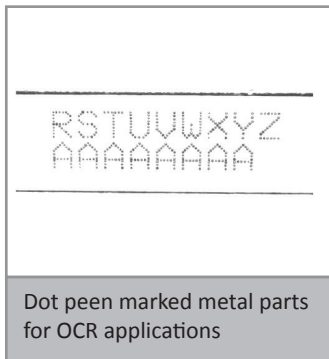
### How to use



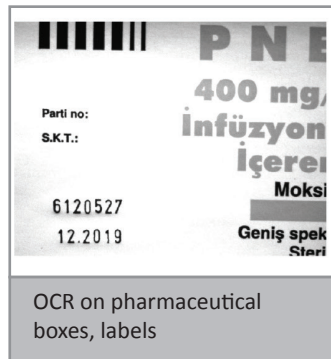
### Product Types

Model	Color	Wavelength/ Color Temperature	Power Supply	Power Consumption	IP Rating (Option: IP67)	Connection	A(mm)	B(mm)	C(mm)	D(mm)	E(mm)	Housing Material	Light Angle (°)
VL-BAR-23-51-R-24-C30	R	660nm	24VDC	1.4W	IP50	M8 4 pin w 300mm cable	23	51	27	69	14	Aluminum (Black, Anodized)	30°
VL-BAR-23-51-W-24-C30	W	9000K	24VDC	2W	IP50	M8 4 pin w 300mm cable	23	51	27	69	14	Aluminum (Black, Anodized)	30°
VL-BAR-23-102-R-24-C30	R	660nm	24VDC	2.8W	IP50	M8 4 pin w 300mm cable	23	102	27	121	14	Aluminum (Black, Anodized)	30°
VL-BAR-23-102-W-24-C30	W	9000K	24VDC	4W	IP50	M8 4 pin w 300mm cable	23	102	27	121	14	Aluminum (Black, Anodized)	30°
VL-BAR-23-203-R-24-C30	R	660nm	24VDC	4W	IP50	M8 4 pin w 300mm cable	23	203	27	222	14	Aluminum (Black, Anodized)	30°
VL-BAR-23-203-W-24-C30	W	9000K	24VDC	8W	IP50	M8 4 pin w 300mm cable	23	203	27	222	14	Aluminum (Black, Anodized)	30°
VL-BAR-23-305-R-24-C30	R	660nm	24VDC	8W	IP50	M8 4 pin w 300mm cable	23	305	27	324	14	Aluminum (Black, Anodized)	30°
VL-BAR-23-305-W-24-C30	W	9000K	24VDC	12W	IP50	M8 4 pin w 300mm cable	23	305	27	324	14	Aluminum (Black, Anodized)	30°

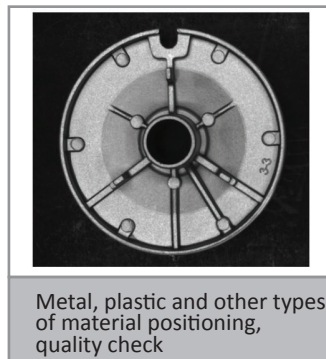
## Sample Applications



Dot peen marked metal parts for OCR applications



OCR on pharmaceutical boxes, labels



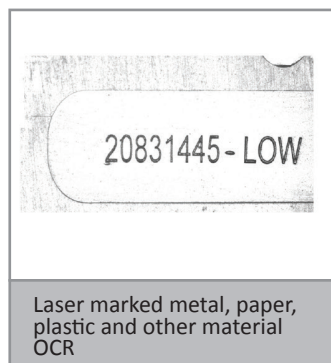
Metal, plastic and other types of material positioning, quality check



Datamatrix code reading on metal part marked with laser



Label quality check, OCR, OCV



Laser marked metal, paper, plastic and other material OCR



Label code reading, OCR, label positioning on box



OCR on plastic parts marked with laser, part check

## Accessories

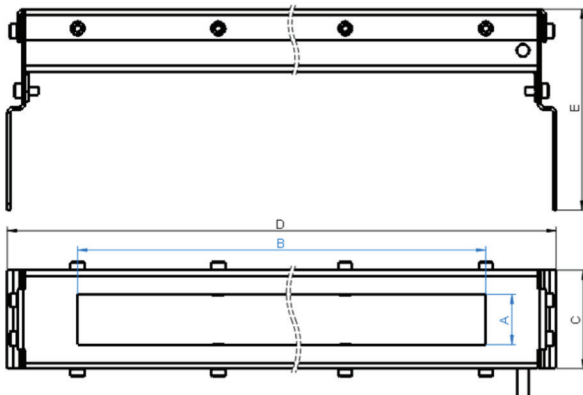
	Suitable Product	Ordering Code	Accessories Image
1	VL-BAR-23-51-W-24-C30	VL-BAR-BR-01	
2	VL-BAR-23-51-R-24-C30		
3	VL-BAR-23-102-W-24-C30		
4	VL-BAR-23-102-R-24-C30		
5	VL-BAR-23-203-W-24-C30		
6	VL-BAR-23-203-R-24-C30		
7	VL-BAR-23-305-W-24-C30		
8	VL-BAR-23-305-R-24-C30		

## Electrical Connection

	Cable	Ordering Code	Drawing/Connection
1	M8 female 0° with cable PVC 4x0.25 bk UL/CSA 3m	7000-08061-6110300	
2	M8 female 0° with cable PVC 4x0.25 bk UL/CSA 5m	7000-08061-6110500	
3	M8 female 90° with cable PVC 4x0.25 bk UL/CSA 3m	7000-08101-6110300	
4	M8 female 90° with cable PVC 4x0.25 bk UL/CSA 5m	7000-08101-6110500	

## VL-BAL Long Bar Light (400 to 2500mm)

- Robust mechanical design
- High power for long range applications
- Up to 2500mm length
- 24VDC power supply
- Low power consumption

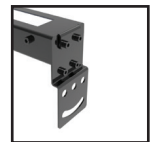


### Features

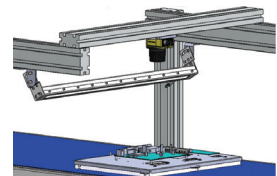
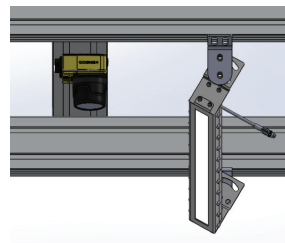
Polycarbonate diffuser with high light transfer



Easy angle adjustment



### How to use

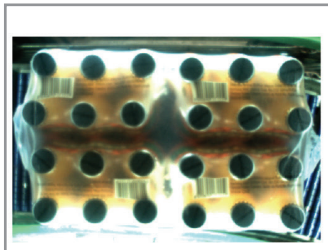


## Product Types

Model	Color	Wavelength/ Color Temperature	Power Supply	Power Consumption	IP Rating	Connection	A(mm)	B(mm)	C(mm)	D(mm)	E(mm)	Housing Material	Light Angle (°)
VL-BAL-25-400-R-24-C30	R	660nm	24VDC	11W	IP50	M8 4 pin w 300mm cable	25	400	49	455	100	Steel (Black, Painted)	30°
VL-BAL-25-400-W-24-C30	W	9000K	24VDC	16W	IP50	M8 4 pin w 300mm cable	25	400	49	455	100	Steel (Black, Painted)	30°
VL-BAL-25-500-R-24-C30	R	660nm	24VDC	14W	IP50	M8 4 pin w 300mm cable	25	500	49	555	100	Steel (Black, Painted)	30°
VL-BAL-25-500-W-24-C30	W	9000K	24VDC	20W	IP50	M8 4 pin w 300mm cable	25	500	49	555	100	Steel (Black, Painted)	30°
VL-BAL-25-600-R-24-C30	R	660nm	24VDC	16W	IP50	M8 4 pin w 300mm cable	25	600	49	655	100	Steel (Black, Painted)	30°
VL-BAL-25-600-W-24-C30	W	9000K	24VDC	24W	IP50	M8 4 pin w 300mm cable	25	600	49	655	100	Steel (Black, Painted)	30°
VL-BAL-25-700-R-24-C30	R	660nm	24VDC	19W	IP50	M8 4 pin w 300mm cable	25	700	49	755	100	Steel (Black, Painted)	30°
VL-BAL-25-700-W-24-C30	W	9000K	24VDC	28W	IP50	M8 4 pin w 300mm cable	25	700	49	755	100	Steel (Black, Painted)	30°
VL-BAL-25-800-R-24-C30	R	660nm	24VDC	22W	IP50	M8 4 pin w 300mm cable	25	800	49	855	100	Steel (Black, Painted)	30°
VL-BAL-25-800-W-24-C30	W	9000K	24VDC	32W	IP50	M8 4 pin w 300mm cable	25	800	49	855	100	Steel (Black, Painted)	30°
VL-BAL-25-900-R-24-C30	R	660nm	24VDC	24W	IP50	M8 4 pin w 300mm cable	25	900	49	955	100	Steel (Black, Painted)	30°
VL-BAL-25-900-W-24-C30	W	9000K	24VDC	36W	IP50	M8 4 pin w 300mm cable	25	900	49	955	100	Steel (Black, Painted)	30°
VL-BAL-25-1000-R-24-C30	R	660nm	24VDC	27W	IP50	M8 4 pin w 300mm cable	25	1000	49	1055	100	Steel (Black, Painted)	30°
VL-BAL-25-1000-W-24-C30	W	9000K	24VDC	40W	IP50	M8 4 pin w 300mm cable	25	1000	49	1055	100	Steel (Black, Painted)	30°
VL-BAL-25-1100-R-24-C30	R	660nm	24VDC	30W	IP50	M8 4 pin w 300mm cable	25	1100	49	1155	100	Steel (Black, Painted)	30°
VL-BAL-25-1100-W-24-C30	W	9000K	24VDC	44W	IP50	M8 4 pin w 300mm cable	25	1100	49	1155	100	Steel (Black, Painted)	30°
VL-BAL-25-1300-R-24-C30	R	660nm	24VDC	35W	IP50	M8 4 pin w 300mm cable	25	1300	49	1355	100	Steel (Black, Painted)	30°
VL-BAL-25-1300-W-24-C30	W	9000K	24VDC	52W	IP50	M8 4 pin w 300mm cable	25	1300	49	1355	100	Steel (Black, Painted)	30°
VL-BAL-25-1500-R-24-C30	R	660nm	24VDC	40W	IP50	M8 4 pin w 300mm cable	25	1500	49	1555	100	Steel (Black, Painted)	30°
VL-BAL-25-1500-W-24-C30	W	9000K	24VDC	60W	IP50	M8 4 pin w 300mm cable	25	1500	49	1555	100	Steel (Black, Painted)	30°
VL-BAL-25-1700-R-24-C30	R	660nm	24VDC	46W	IP50	M8 4 pin w 300mm cable	25	1700	49	1755	100	Steel (Black, Painted)	30°
VL-BAL-25-1700-W-24-C30	W	9000K	24VDC	68W	IP50	M8 4 pin w 300mm cable	25	1700	49	1755	100	Steel (Black, Painted)	30°
VL-BAL-25-2000-R-24-C30	R	660nm	24VDC	53W	IP50	M8 4 pin w 300mm cable	25	2000	49	2055	100	Steel (Black, Painted)	30°
VL-BAL-25-2000-W-24-C30	W	9000K	24VDC	80W	IP50	M8 4 pin w 300mm cable	25	2000	49	2055	100	Steel (Black, Painted)	30°
VL-BAL-25-2500-R-24-C30	R	660nm	24VDC	65W	IP50	M8 4 pin w 300mm cable	25	2500	49	2555	100	Steel (Black, Painted)	30°
VL-BAL-25-2500-W-24-C30	W	9000K	24VDC	100W	IP50	M8 4 pin w 300mm cable	25	2500	49	2555	100	Steel (Black, Painted)	30°



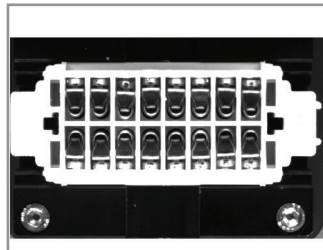
## Sample Applications



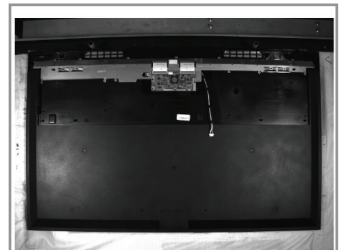
Large area counting parts, cap counting, positioning



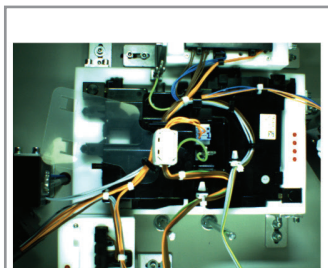
Large area linescan applications, washing machine drum



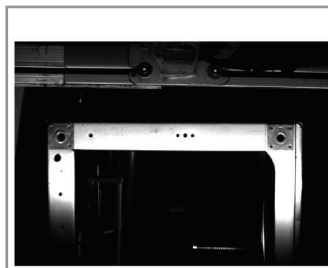
Part positioning, existence, angle checking



Large part positioning, orientation to robots, LCD panel



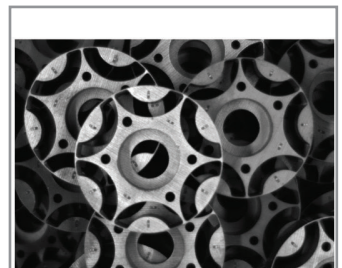
Color check, part assembling, positioning



Big metal part positioning, checking holes, classification



Diaper inspection, non woven inspection, web inspection



Part positioning, location on large bins

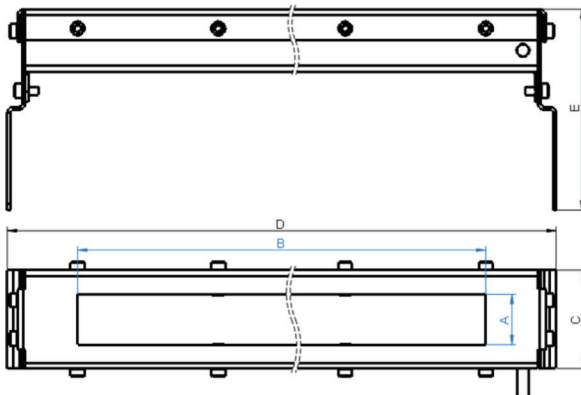
## Accessories

## Electrical Connection

	Cable	Ordering Code	Drawing/Connection
1	M8 female 0° with cable PVC 4x0.25 bk UL/CSA 3m	7000-08061-6110300	
2	M8 female 0° with cable PVC 4x0.25 bk UL/CSA 5m	7000-08061-6110500	
3	M8 female 90° with cable PVC 4x0.25 bk UL/CSA 3m	7000-08101-6110300	
4	M8 female 90° with cable PVC 4x0.25 bk UL/CSA 5m	7000-08101-6110500	

## VL-BLL Bar Backlight for Linescan (400 to 2500mm)

- Robust mechanical design
- High power for long range applications
- Up to 1000mm length
- 24VDC power supply
- Low power consumption

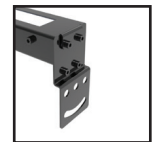


### Features

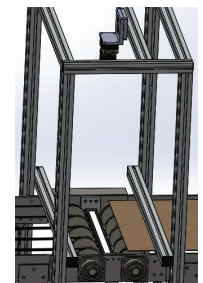
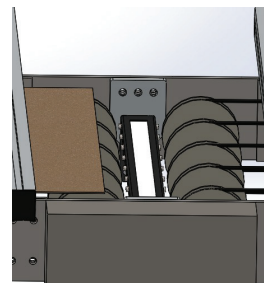
Polycarbonate diffuser with high light transfer



Easy angle adjustment



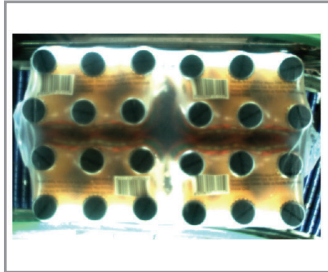
### How to use



### Product Types

Model	Color	Wavelength/Color Temperature	Power Supply	Power Consumption	IP Rating	Connection	A(mm)	B(mm)	C(mm)	D(mm)	E(mm)	Housing Material	Light Angle (°)
VL-BLL-25-400-R-24-C30	R	625nm	24VDC	11W	IP50	M8 4 pin w 300mm cable	25	400	49	455	100	Steel (Black, Painted)	30°
VL-BLL-25-400-W-24-C30	W	6500K	24VDC	16W	IP50	M8 4 pin w 300mm cable	25	400	49	455	100	Steel (Black, Painted)	30°
VL-BLL-25-500-R-24-C30	R	625nm	24VDC	14W	IP50	M8 4 pin w 300mm cable	25	500	49	555	100	Steel (Black, Painted)	30°
VL-BLL-25-500-W-24-C30	W	6500K	24VDC	20W	IP50	M8 4 pin w 300mm cable	25	500	49	555	100	Steel (Black, Painted)	30°
VL-BLL-25-600-R-24-C30	R	625nm	24VDC	16W	IP50	M8 4 pin w 300mm cable	25	600	49	655	100	Steel (Black, Painted)	30°
VL-BLL-25-600-W-24-C30	W	6500K	24VDC	24W	IP50	M8 4 pin w 300mm cable	25	600	49	655	100	Steel (Black, Painted)	30°
VL-BLL-25-700-R-24-C30	R	625nm	24VDC	19W	IP50	M8 4 pin w 300mm cable	25	700	49	755	100	Steel (Black, Painted)	30°
VL-BLL-25-700-W-24-C30	W	6500K	24VDC	28W	IP50	M8 4 pin w 300mm cable	25	700	49	755	100	Steel (Black, Painted)	30°
VL-BLL-25-800-R-24-C30	R	625nm	24VDC	22W	IP50	M8 4 pin w 300mm cable	25	800	49	855	100	Steel (Black, Painted)	30°
VL-BLL-25-800-W-24-C30	W	6500K	24VDC	32W	IP50	M8 4 pin w 300mm cable	25	800	49	855	100	Steel (Black, Painted)	30°
VL-BLL-25-900-R-24-C30	R	625nm	24VDC	24W	IP50	M8 4 pin w 300mm cable	25	900	49	955	100	Steel (Black, Painted)	30°
VL-BLL-25-900-W-24-C30	W	6500K	24VDC	36W	IP50	M8 4 pin w 300mm cable	25	900	49	955	100	Steel (Black, Painted)	30°
VL-BLL-25-1000-R-24-C30	R	625nm	24VDC	27W	IP50	M8 4 pin w 300mm cable	25	1000	49	1055	100	Steel (Black, Painted)	30°
VL-BLL-25-1000-W-24-C30	W	6500K	24VDC	40W	IP50	M8 4 pin w 300mm cable	25	1000	49	1055	100	Steel (Black, Painted)	30°
VL-BLL-25-1100-R-24-C30	R	660nm	24VDC	30W	IP50	M8 4 pin w 300mm cable	25	1100	49	1155	100	Steel (Black, Painted)	30°
VL-BLL-25-1100-W-24-C30	W	9000K	24VDC	44W	IP50	M8 4 pin w 300mm cable	25	1100	49	1155	100	Steel (Black, Painted)	30°
VL-BLL-25-1300-R-24-C30	R	660nm	24VDC	35W	IP50	M8 4 pin w 300mm cable	25	1300	49	1355	100	Steel (Black, Painted)	30°
VL-BLL-25-1300-W-24-C30	W	9000K	24VDC	52W	IP50	M8 4 pin w 300mm cable	25	1300	49	1355	100	Steel (Black, Painted)	30°
VL-BLL-25-1500-R-24-C30	R	660nm	24VDC	40W	IP50	M8 4 pin w 300mm cable	25	1500	49	1555	100	Steel (Black, Painted)	30°
VL-BLL-25-1500-W-24-C30	W	9000K	24VDC	60W	IP50	M8 4 pin w 300mm cable	25	1500	49	1555	100	Steel (Black, Painted)	30°
VL-BLL-25-1700-R-24-C30	R	660nm	24VDC	46W	IP50	M8 4 pin w 300mm cable	25	1700	49	1755	100	Steel (Black, Painted)	30°
VL-BLL-25-1700-W-24-C30	W	9000K	24VDC	68W	IP50	M8 4 pin w 300mm cable	25	1700	49	1755	100	Steel (Black, Painted)	30°
VL-BLL-25-2000-R-24-C30	R	660nm	24VDC	53W	IP50	M8 4 pin w 300mm cable	25	2000	49	2055	100	Steel (Black, Painted)	30°
VL-BLL-25-2000-W-24-C30	W	9000K	24VDC	80W	IP50	M8 4 pin w 300mm cable	25	2000	49	2055	100	Steel (Black, Painted)	30°
VL-BLL-25-2500-R-24-C30	R	660nm	24VDC	65W	IP50	M8 4 pin w 300mm cable	25	2500	49	2555	100	Steel (Black, Painted)	30°
VL-BLL-25-2500-W-24-C30	W	9000K	24VDC	100W	IP50	M8 4 pin w 300mm cable	25	2500	49	2555	100	Steel (Black, Painted)	30°

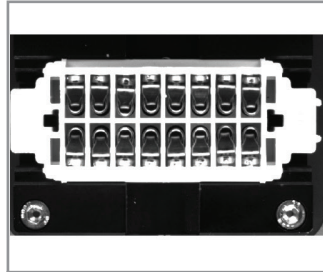
## Sample Applications



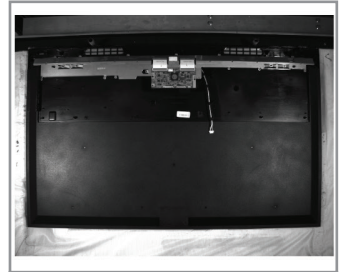
Large area counting parts, cap counting, positioning



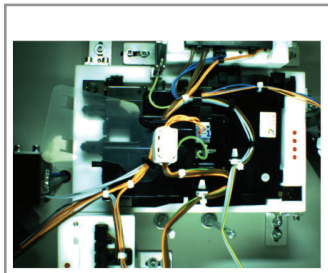
Large area linescan applications, washing machine drum



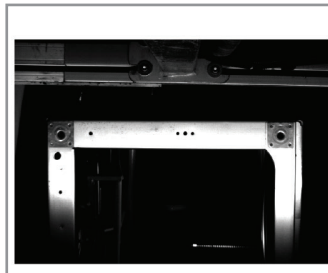
Part positioning, existence, angle checking



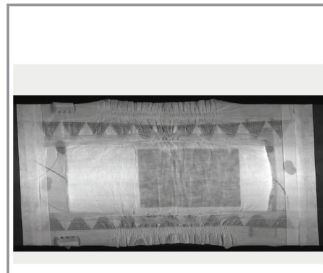
Large part positioning, orientation to robots, LCD panel



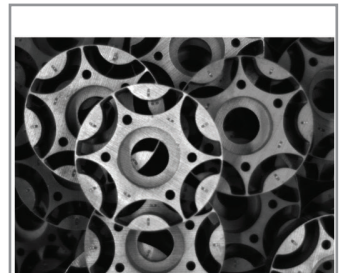
Color check, part assembling, positioning



Big metal part positioning, checking holes, classification



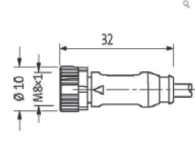
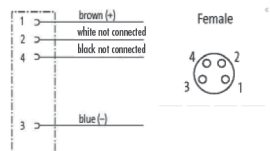
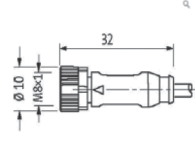
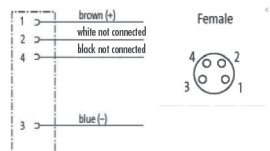
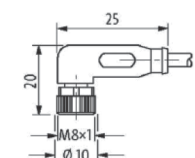
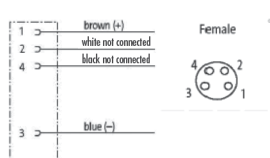
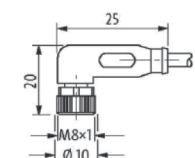
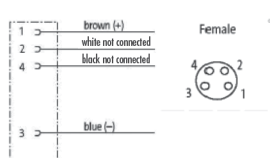
Diaper inspection, non woven inspection, web inspection



Part positioning, location on large bins

## Accessories

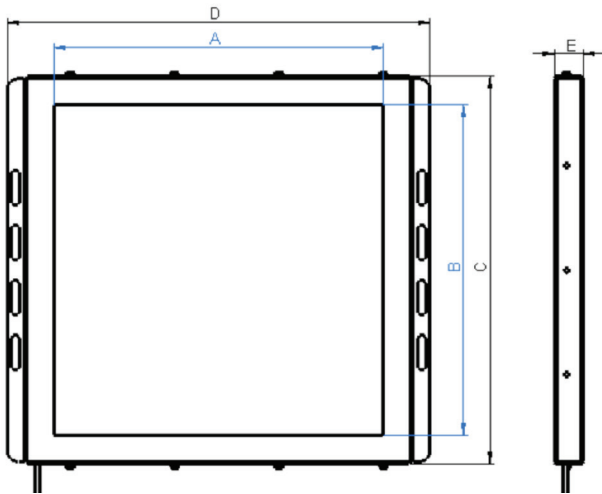
## Electrical Connection

	Cable	Ordering Code	Drawing/Connection
1	M8 female 0° with cable PVC 4x0.25 bk UL/CSA 3m	7000-08061-6110300	 
2	M8 female 0° with cable PVC 4x0.25 bk UL/CSA 5m	7000-08061-6110500	 
3	M8 female 90° with cable PVC 4x0.25 bk UL/CSA 3m	7000-08101-6110300	 
4	M8 female 90° with cable PVC 4x0.25 bk UL/CSA 5m	7000-08101-6110500	 



## VL-BLA Large Area Backlight (300 to 1000mm)

- Robust mechanical design
- Diffuse large area thin design
- 24VDC power supply
- Complete metal case for harsh environments



### Features

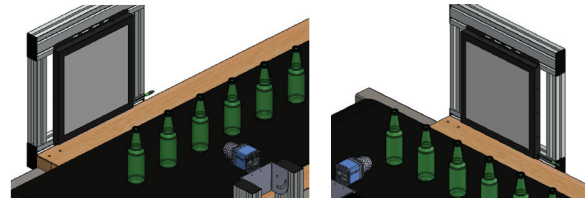
Polycarbonate diffuser with high light transfer



Slim, compact design



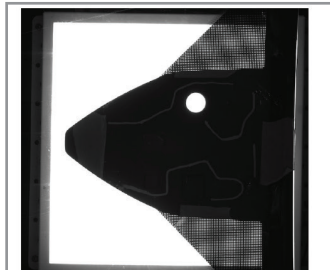
### How to use



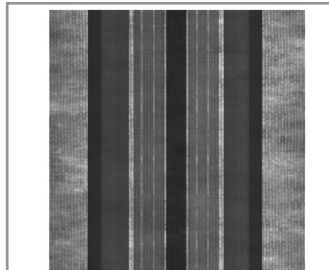
### Product Types

Model	Color	Wavelength/ Color Temperature	Power Supply	Power Consumption	IP Rating (Option: IP67)	Connection	A(mm)	B(mm)	C(mm)	D(mm)	E(mm)	Housing Material	Light Angle (°)
VL-BLA-300-300-W-24-C30	W	6500K	24VDC	24W	IP50	M8 4 pin w 300mm cable	300	300	352	385	26	Steel (Black, Painted)	180°
VL-BLA-400-400-W-24-C30	W	6500K	24VDC	34W	IP50	M8 4 pin w 300mm cable	400	400	452	485	26	Steel (Black, Painted)	180°
VL-BLA-500-500-W-24-C30	W	6500K	24VDC	43W	IP50	M8 4 pin w 300mm cable	500	500	552	585	26	Steel (Black, Painted)	180°
VL-BLA-600-600-W-24-C30	W	6500K	24VDC	50W	IP50	M8 4 pin w 300mm cable	600	600	652	685	26	Steel (Black, Painted)	180°
VL-BLA-700-700-W-24-C30	W	6500K	24VDC	70W	IP50	M8 4 pin w 300mm cable	700	700	752	785	26	Steel (Black, Painted)	180°
VL-BLA-800-800-W-24-C30	W	6500K	24VDC	80W	IP50	M8 4 pin w 300mm cable	800	800	852	885	26	Steel (Black, Painted)	180°
VL-BLA-900-900-W-24-C30	W	6500K	24VDC	90W	IP50	M8 4 pin w 300mm cable	900	900	952	985	26	Steel (Black, Painted)	180°
VL-BLA-1000-1000-W-24-C30	W	6500K	24VDC	100W	IP50	M8 4 pin w 300mm cable	1000	1000	1052	1085	26	Steel (Black, Painted)	180°

## Sample Applications



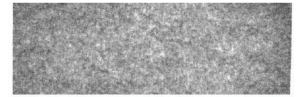
Positioning on windscreen for sensor mounting, position check



Web inspection, part inspection, part direction, contamination check on web



Wide area part inspection pharmaceuticals, food, beverage

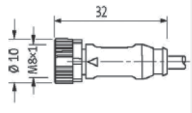
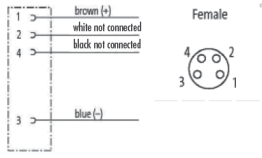
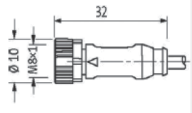
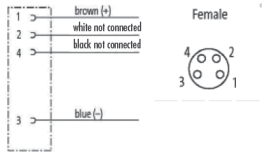
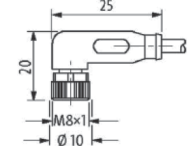
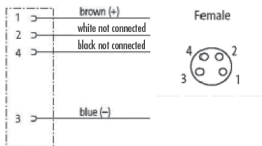
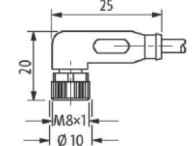
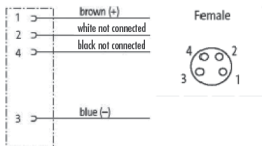


Web density check, contamination inspection

## Accessories

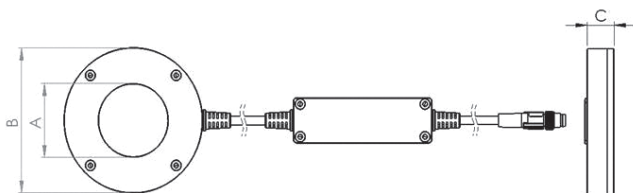
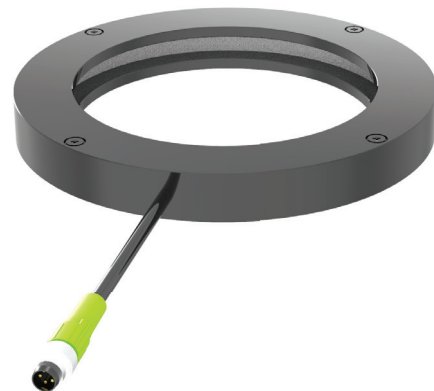
	Suitable Product	Ordering Code	Accessories Image
1	VL-BLA Series	VL-BLA-BR-01	

## Electrical Connection

	Cable	Ordering Code	Drawing/Connection
1	M8 female 0° with cable PVC 4x0.25 bk UL/CSA 3m	7000-08061-6110300	 
2	M8 female 0° with cable PVC 4x0.25 bk UL/CSA 5m	7000-08061-6110500	 
3	M8 female 90° with cable PVC 4x0.25 bk UL/CSA 3m	7000-08101-6110300	 
4	M8 female 90° with cable PVC 4x0.25 bk UL/CSA 5m	7000-08101-6110500	 

# VL-DFF Low Angle Light for Dark Field Illumination

- High intensity leds for highest illumination
- Compact design
- Heat transfer pads for longer life

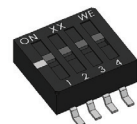


## Features

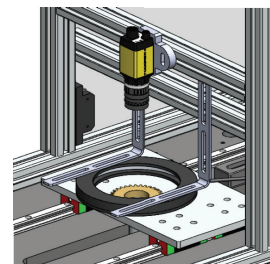
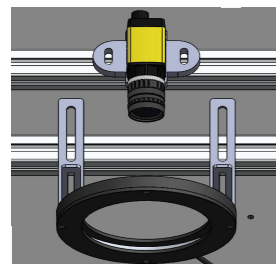
Aluminium PCB for maximum heat transfer



Illumination intensity modes with dip switches



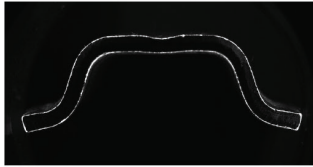
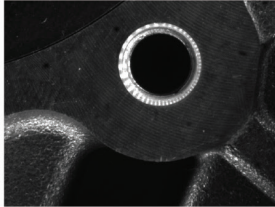

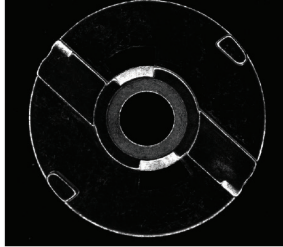
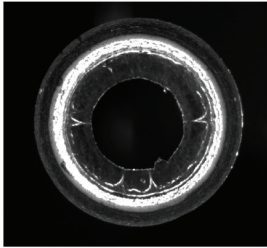
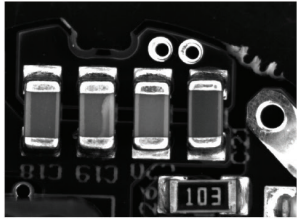
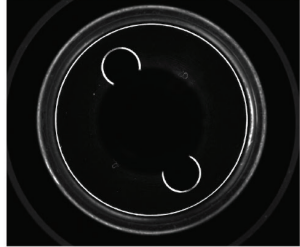
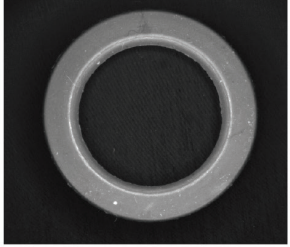
## How to use



## Product Types

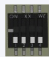
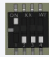
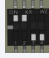
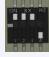
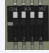
Model	Color	Wavelength/Color Temperature	Power Supply	Power Consumption	IP Rating	Connection	A(mm)	B(mm)	C(mm)	D(mm)	E(mm)	Housing Material	Light Angle (°)
VL-DFA-40-80-R-24-C30	R	660nm	24VDC	continuous: 2W, trigger: 4W	IP50	M8 4 pin w 300mm cable	40	80	15,5	*	*	Aluminum (Black, Anodized)	120°
VL-DFA-40-80-W-24-C30	W	6500K	24VDC	continuous: 2.5W, trigger: 5W	IP50	M8 4 pin w 300mm cable	40	80	15,5	*	*	Aluminum (Black, Anodized)	120°
VL-DFF-40-80-R-24-C30	R	660nm	24VDC	continuous: 2W, trigger: 4W	IP50	M8 4 pin w 300mm cable	40	80	15,5	*	*	Aluminum (Black, Anodized)	120°
VL-DFF-40-80-W-24-C30	W	6500K	24VDC	continuous: 2.5W, trigger: 5W	IP50	M8 4 pin w 300mm cable	40	80	15,5	*	*	Aluminum (Black, Anodized)	120°
VL-DFF-103-143-R-24-C30	R	660nm	24VDC	continuous: 4W, trigger: 8W	IP50	M8 4 pin w 300mm cable	103	143	15,5	*	*	Aluminum (Black, Anodized)	120°
VL-DFF-103-143-W-24-C30	W	6500K	24VDC	continuous: 5W, trigger: 9W	IP50	M8 4 pin w 300mm cable	103	143	15,5	*	*	Aluminum (Black, Anodized)	120°
VL-DFF-165-205-R-24-C30	R	660nm	24VDC	continuous: 6,5W, trigger: 11W	IP50	M8 4 pin w 300mm cable	165	205	15,5	*	*	Aluminum (Black, Anodized)	120°
VL-DFF-165-205-W-24-C30	W	6500K	24VDC	continuous: 7,5W, trigger: 12W	IP50	M8 4 pin w 300mm cable	165	205	15,5	*	*	Aluminum (Black, Anodized)	120°
VL-DFF-230-270-R-24-C30	R	660nm	24VDC	continuous: 8,5W, trigger: 14W	IP50	M8 4 pin w 300mm cable	230	270	15,5	*	*	Aluminum (Black, Anodized)	120°
VL-DFF-230-270-W-24-C30	W	6500K	24VDC	continuous: 10W, trigger: 16W	IP50	M8 4 pin w 300mm cable	230	270	15,5	*	*	Aluminum (Black, Anodized)	120°
VL-DFF-290-330-R-24-C30	R	660nm	24VDC	continuous: 11W, trigger: 17W	IP50	M8 4 pin w 300mm cable	290	330	15,5	*	*	Aluminum (Black, Anodized)	120°
VL-DFF-290-330-W-24-C30	W	6500K	24VDC	continuous: 12,5W, trigger: 20W	IP50	M8 4 pin w 300mm cable	290	330	15,5	*	*	Aluminum (Black, Anodized)	120°
VL-DFF-355-395-R-24-C30	R	660nm	24VDC	continuous: 13W, trigger: 20W	IP50	M8 4 pin w 300mm cable	355	395	15,5	*	*	Aluminum (Black, Anodized)	120°
VL-DFF-355-395-W-24-C30	W	6500K	24VDC	continuous: 15W, trigger: 23W	IP50	M8 4 pin w 300mm cable	355	395	15,5	*	*	Aluminum (Black, Anodized)	120°

## Sample Applications

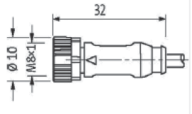

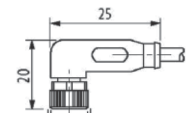

			
<p>Detecting edges, edge defect detection, positioning of low contrast parts</p>	<p>Groove, scratch detection, diameter measurement based on edges</p>	<p>Ball bearing inspection, round object check</p>	<p>Positionin based on edges, low color contrast part identification</p>
			
<p>Part edge crack, dent inspection</p>	<p>Part detection on PCB's, positioning, detecting parts based on height difference</p>	<p>Part positionin related to the edges, part identification</p>	<p>Part positioning, detection on parts which has same color with background</p>

## Accessories

	Suitable Product	Ordering Code	Accessories Image
1	VL-DFF-30-70-R-24-C30	VL-DFF-BR-01	
2	VL-DFF-30-70-W-24-C30		
3	VL-DFF-103-143-R-24-C30		
4	VL-DFF-103-143-W-24-C30		
5	VL-DFF-365-400-R-24-C30		
6	VL-DFF-365-400-W-24-C30		

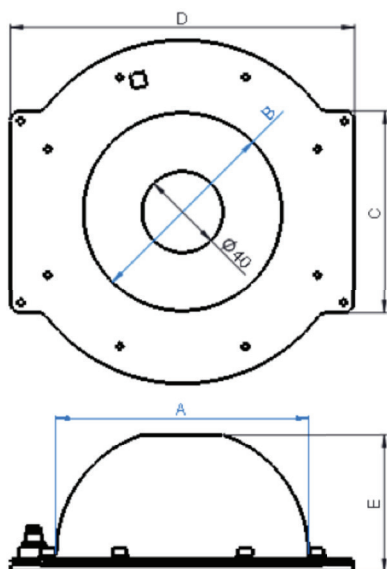
	Light ON Position Percentage	Light Intensity	Accessories Image
	ON : % 100 OFF : % 0 (Standard High Intensity)		Can be used without strobe, continuous illumination mode
	ON : % 85 OFF : % 15		Due to high illumination settings, use this mode only with strobe input with given ON/OFF percentage.
	ON : % 72 OFF : % 28		Due to high illumination settings, use this mode only with strobe input with given ON/OFF percentage.
	ON : % 60 OFF : % 40		Due to high illumination settings, use this mode only with strobe input with given ON/OFF percentage.
	ON : % 50 OFF : % 50 (Ultra high light Intensity)		Due to high illumination settings, use this mode only with strobe input with given ON/OFF percentage.

## Electrical Connection

	Cable	Ordering Code	Drawing/Connection
1	M8 female 0° with cable PVC 4x0.25 bk UL/CSA 3m	7000-08061-6110300	 <p><b>connection without STROBE</b></p> <p>1 brown (+) 2 white not connected 4 black not connected 3 blue (-)</p> <p>Female</p> 
2	M8 female 0° with cable PVC 4x0.25 bk UL/CSA 5m	7000-08061-6110500	
3	M8 female 90° with cable PVC 4x0.25 bk UL/CSA 3m	7000-08101-6110300	 <p><b>connection with STROBE</b></p> <p>1 brown (+) 2 white (strobe GND) 4 black (strobe+) 3 blue (-)</p> <p>Female</p> 
4	M8 female 90° with cable PVC 4x0.25 bk UL/CSA 5m	7000-08101-6110500	

## VL-DOM Dome Light for Diffuse Illumination ( up to 250mm )

- High intensity, high quantity leds for bright dome effect
- 5 levels of illumination adjustment with DIP switch for higher illumination
- Easy to intergrate thanks to mechanical fixing points
- Soft white paint for even lighting

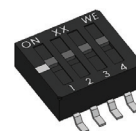


### Features

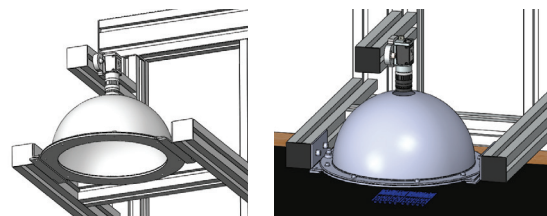
High density LED allocation for maximum light intensity



Illumination intensity modes with dip switches



### How to use

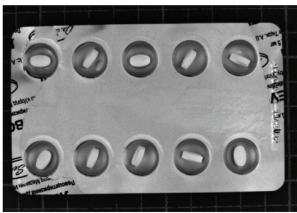

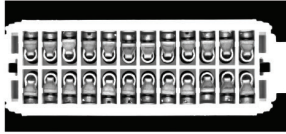
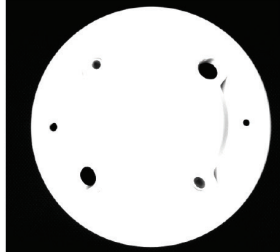

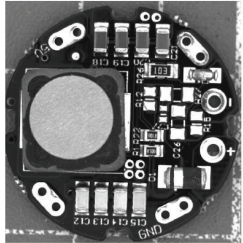
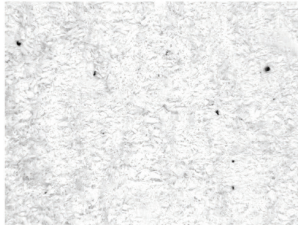
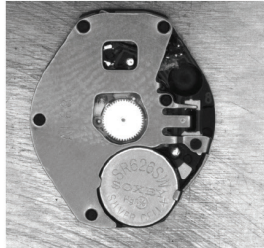


### Product Types

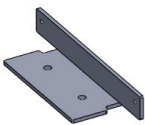
Model	Color	Wavelength/Color Temperature	Power Supply	Power Consumption	IP Rating	Connection	A(mm)	B(mm)	C(mm)	D(mm)	E(mm)	Housing Material	Light Angle (°)
VL-DOM-125-98-R-24-C	R	625nm	24VDC	continous:6W, trigger: 11W	IP50	M8 4 pin connector	125	98	100	170	67.6	Aluminum (Black, Anodized & White, Painted)	120°
VL-DOM-125-98-W-24-C	W	6500K	24VDC	continous:8W, trigger: 15W	IP50	M8 4 pin connector	125	98	100	170	67.6	Aluminum (Black, Anodized & White, Painted)	120°
VL-DOM-250-223-R-24-C	R	625nm	24VDC	continous:12W, trigger: 22W	IP50	M8 4 pin connector	250	223	150	295	131.8	Aluminum (Black, Anodized & White, Painted)	120°
VL-DOM-250-223-W-24-C	W	6500K	24VDC	continous:16W, trigger: 29W	IP50	M8 4 pin connector	250	223	150	295	131.8	Aluminum (Black, Anodized & White, Painted)	120°





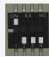

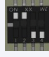

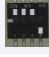

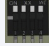

## Sample Applications

			
<p>Part inspection on shiny background or foreground</p>	<p>OCR, defect detection, datamatrix code reading on curved surfaces</p>	<p>Even surface lighting for positioning and inspection</p>	<p>Hole detection, part identification on curved objects</p>
			
<p>Color inspection on round shiny objects</p>	<p>Part check, identification, positioning on glossy, shiny objects</p>	<p>Material, defect, contamination detection based on contrast rather than reflection</p>	<p>Shiny object part inspection and identification</p>

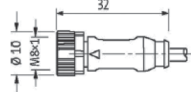

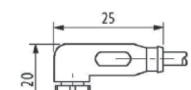

## Accessories

	Suitable Product	Ordering Code	Accessories Image
1	VL-DOM-125-98-R-24-C	VL-DOM-BR-01	
2	VL-DOM-125-98-W-24-C		
3	VL-DOM-250-223-R-24-C	VL-DOM-BR-02	
4	VL-DOM-250-223-W-24-C		

## Dip Switch Setup

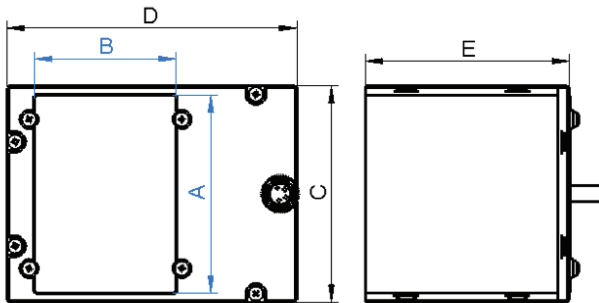
	Light ON Position Percentage	Light Intensity	Accessories Image
	ON : % 100 OFF : % 0 (Standard High Intensity)		Can be used without strobe, continuous illumination mode
	ON : % 85 OFF : % 15		Due to high illumination settings, use this mode only with strobe input with given ON/OFF percentage.
	ON : % 72 OFF : % 28		Due to high illumination settings, use this mode only with strobe input with given ON/OFF percentage.
	ON : % 60 OFF : % 40		Due to high illumination settings, use this mode only with strobe input with given ON/OFF percentage.
	ON : % 50 OFF : % 50 (Ultra high light Intensity)		Due to high illumination settings, use this mode only with strobe input with given ON/OFF percentage.

## Electrical Connection

	Cable	Ordering Code	Drawing/Connection
1	M8 female 0° with cable PVC 4x0.25 bk UL/CSA 3m	7000-08061-6110300	 <p><b>connection without STROBE</b></p> <p>1 -&gt; brown (+) 2 -&gt; white not connected 3 -&gt; black not connected 4 -&gt; blue (-)</p> <p>Female</p> 
2	M8 female 0° with cable PVC 4x0.25 bk UL/CSA 5m	7000-08061-6110500	
3	M8 female 90° with cable PVC 4x0.25 bk UL/CSA 3m	7000-08101-6110300	 <p><b>connection with STROBE</b></p> <p>1 -&gt; brown (+) 2 -&gt; white (strobe GND) 3 -&gt; black (strobe+) 4 -&gt; blue (-)</p> <p>Female</p> 
4	M8 female 90° with cable PVC 4x0.25 bk UL/CSA 5m	7000-08101-6110500	

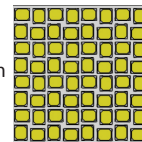
# VL-COX Coaxial Light for On-Axis Illumination

- Light guiding for full coaxial effect
- High intensity leds designed for max illumination
- Compact design to fit narrow spaces
- On axis diffuse illumination ideal for small parts

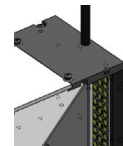


### Features

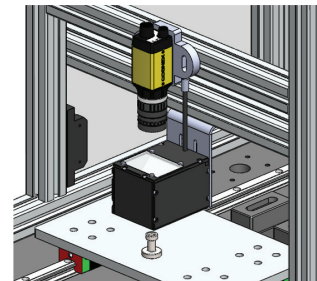
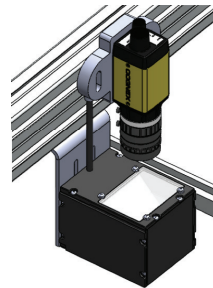
Complex LED allocation for high and diffuse illumination



Thermal film for heat transfer



### How to use

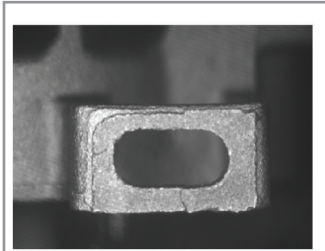


## Product Types

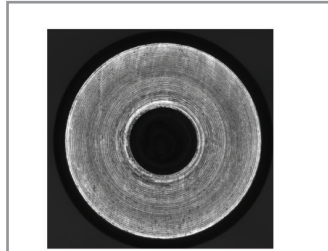
Model	Color	Wavelength/Color Temperature	Power Supply	Power Consumption	IP Rating (Option: IP67)	Connection	A(mm)	B(mm)	C(mm)	D(mm)	E(mm)	Housing Material	Light Angle (°)
VL-COX-32-16-R-24-C30	R	625nm	24VDC	1W	IP50	M8 4 pin w 300mm cable	32	16	40	59	36	Aluminum (Black, Anodized)	120°
VL-COX-32-16-W-24-C30	W	6500K	24VDC	1.25W	IP50	M8 4 pin w 300mm cable	32	16	40	59	36	Aluminum (Black, Anodized)	120°
VL-COX-50-35-R-24-C30	R	625nm	24VDC	2W	IP50	M8 4 pin w 300mm cable	50	35	58	78	55	Aluminum (Black, Anodized)	120°
VL-COX-50-35-W-24-C30	W	6500K	24VDC	2.6W	IP50	M8 4 pin w 300mm cable	50	35	58	78	55	Aluminum (Black, Anodized)	120°
VL-COX-94-78-R-24-C30	R	625nm	24VDC	9W	IP50	M8 4 pin w 300mm cable	94	78	102	121	98	Aluminum (Black, Anodized)	120°
VL-COX-94-78-W-24-C30	W	6500K	24VDC	11.25W	IP50	M8 4 pin w 300mm cable	94	78	102	121	98	Aluminum (Black, Anodized)	120°
VL-COX-148-133-R-24-C30	R	625nm	24VDC	18W	IP50	M8 4 pin w 300mm cable	148	133	176	156	153	Aluminum (Black, Anodized)	120°
VL-COX-148-133-W-24-C30	W	6500K	24VDC	23.5W	IP50	M8 4 pin w 300mm cable	148	133	176	156	153	Aluminum (Black, Anodized)	120°



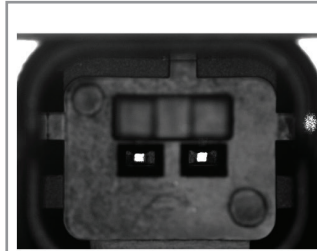
## Sample Applications



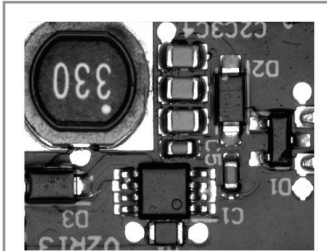
Crack, defect detection on flat metal surfaces



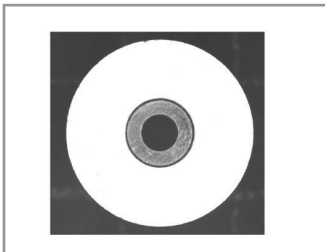
Position detection, surface inspection



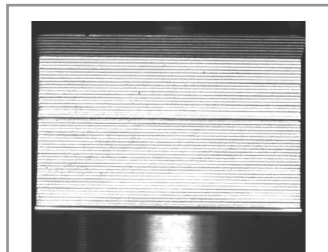
Pin position check, part inspection inside holes



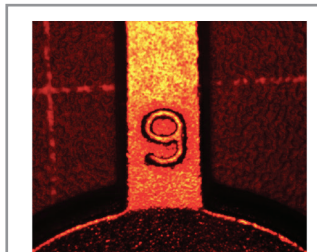
Even, on axis, diffuse light for small objects



Checking parts with height difference inside parts



Round part defect detection by rotating with linescan cameras



OCR character check on small metal parts



Edge defect detection, chamfer defect check on small metal parts

## Accessories

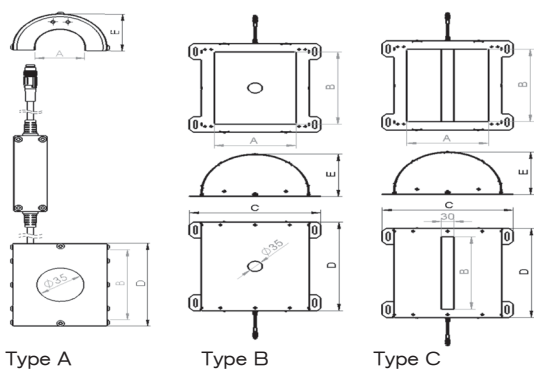
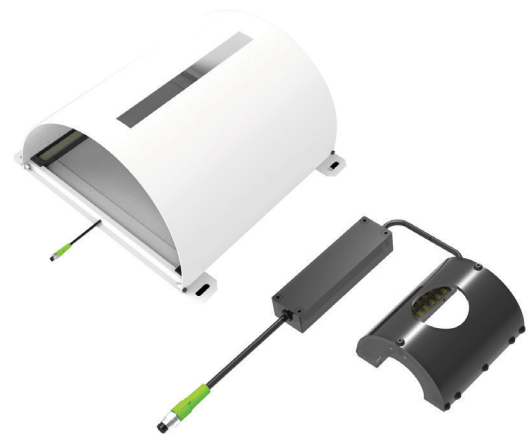
	Suitable Product	Ordering Code	Accessories Image
1	VL-COX-32-16-R-24-C30	VL-COX-BR-01	
2	VL-COX-32-16-W-24-C30		
3	VL-COX-50-35-R-24-C30		
4	VL-COX-50-35-W-24-C30		
5	VL-COX-94-78-R-24-C30		
6	VL-COX-94-78-W-24-C30		
7	VL-COX-148-133-R-24-C30		
8	VL-COX-148-133-W-24-C30		

## Electrical Connection

	Cable	Ordering Code	Drawing/Connection
1	M8 female 0° with cable PVC 4x0.25 bk UL/CSA 3m	7000-08061-6110300	
2	M8 female 0° with cable PVC 4x0.25 bk UL/CSA 5m	7000-08061-6110500	
3	M8 female 90° with cable PVC 4x0.25 bk UL/CSA 3m	7000-08101-6110300	
4	M8 female 90° with cable PVC 4x0.25 bk UL/CSA 5m	7000-08101-6110500	

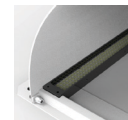
# VL-TNL Tunnel Light for Special Applications (up to 1000mm)

- Ultra high intensity strobe light
- Light adjustable via controller DIP switches
- Compact design for small parts narrow spaces

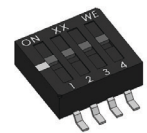


### Features

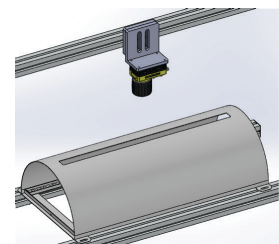
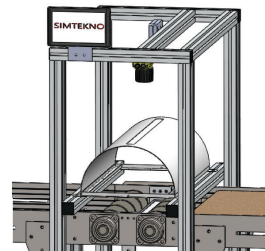
Standard bar light used for large models



Illumination intensity modes with dip switches



### How to use



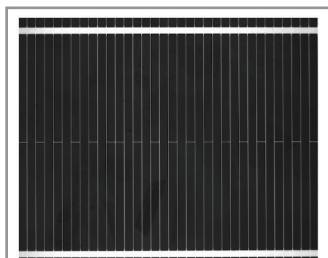
## Product Types

Model	Color	Wavelength/ Color Temperature	Power Supply	Power Consumption	IP Rating (Option: IP67)	Connection	A(mm)	B(mm)	C(mm)	D(mm)	E(mm)	Housing Material	Light Angle (°)	Type
VL-TNL-37-70-R-24-C30	R	625nm	24VDC	4W(STROBE:8W)	IP50	M8 4 pin w 300mm cable	37	70	70	80	38.5	Aluminum (Black, Anodized)	120°	A
VL-TNL-37-70-W-24-C30	W	6500K	24VDC	4W(STROBE:8W)	IP50	M8 4 pin w 300mm cable	37	70	70	80	38.5	Aluminum (Black, Anodized)	120°	A
VL-TNA-200-250-R-24-C30	R	625nm	24VDC	13W	IP50	M8 4 pin w 300mm cable	200	250	320	307	147	Aluminum (Black, Anodized) & Steel (White, Painted)	120°	B
VL-TNA-200-250-W-24-C30	W	6500K	24VDC	20W	IP50	M8 4 pin w 300mm cable	200	250	320	307	147	Aluminum (Black, Anodized) & Steel (White, Painted)	120°	B
VL-TNA-200-500-R-24-C30	R	625nm	24VDC	26W	IP50	M8 4 pin w 300mm cable	200	500	320	557	147	Aluminum (Black, Anodized) & Steel (White, Painted)	120°	B
VL-TNA-200-500-W-24-C30	W	6500K	24VDC	40W	IP50	M8 4 pin w 300mm cable	200	500	320	557	147	Aluminum (Black, Anodized) & Steel (White, Painted)	120°	B
VL-TNA-300-250-R-24-C30	R	625nm	24VDC	13W	IP50	M8 4 pin w 300mm cable	300	250	420	307	197	Aluminum (Black, Anodized) & Steel (White, Painted)	120°	B
VL-TNA-300-250-W-24-C30	W	6500K	24VDC	20W	IP50	M8 4 pin w 300mm cable	300	250	420	307	197	Aluminum (Black, Anodized) & Steel (White, Painted)	120°	B
VL-TNA-300-500-R-24-C30	R	625nm	24VDC	26W	IP50	M8 4 pin w 300mm cable	300	500	420	557	197	Aluminum (Black, Anodized) & Steel (White, Painted)	120°	B
VL-TNA-300-500-W-24-C30	W	6500K	24VDC	40W	IP50	M8 4 pin w 300mm cable	300	500	420	557	197	Aluminum (Black, Anodized) & Steel (White, Painted)	120°	B
VL-TNA-400-250-W-24-C30	R	625nm	24VDC	13W	IP50	M8 4 pin w 300mm cable	400	250	520	307	247	Aluminum (Black, Anodized) & Steel (White, Painted)	120°	B
VL-TNA-400-250-W-24-C30	W	6500K	24VDC	20W	IP50	M8 4 pin w 300mm cable	400	250	520	307	247	Aluminum (Black, Anodized) & Steel (White, Painted)	120°	B
VL-TNA-400-500-R-24-C30	R	625nm	24VDC	26W	IP50	M8 4 pin w 300mm cable	400	500	520	557	247	Aluminum (Black, Anodized) & Steel (White, Painted)	120°	B
VL-TNA-400-500-R-24-C30	W	6500K	24VDC	40W	IP50	M8 4 pin w 300mm cable	400	500	520	557	247	Aluminum (Black, Anodized) & Steel (White, Painted)	120°	B
VL-TNL-200-250-R-24-C30	R	625nm	24VDC	13W	IP50	M8 4 pin w 300mm cable	200	250	320	307	147	Aluminum (Black, Anodized) & Steel (White, Painted)	120°	C
VL-TNL-200-250-W-24-C30	W	6500K	24VDC	20W	IP50	M8 4 pin w 300mm cable	200	250	320	307	147	Aluminum (Black, Anodized) & Steel (White, Painted)	120°	C
VL-TNL-200-500-R-24-C30	R	625nm	24VDC	26W	IP50	M8 4 pin w 300mm cable	200	500	320	557	147	Aluminum (Black, Anodized) & Steel (White, Painted)	120°	C
VL-TNL-200-500-W-24-C30	W	6500K	24VDC	40W	IP50	M8 4 pin w 300mm cable	200	500	320	557	147	Aluminum (Black, Anodized) & Steel (White, Painted)	120°	C
VL-TNL-200-750-R-24-C30	R	625nm	24VDC	39W	IP50	M8 4 pin w 300mm cable	200	750	320	807	147	Aluminum (Black, Anodized) & Steel (White, Painted)	120°	C
VL-TNL-200-750-W-24-C30	W	6500K	24VDC	60W	IP50	M8 4 pin w 300mm cable	200	750	320	807	147	Aluminum (Black, Anodized) & Steel (White, Painted)	120°	C
VL-TNL-200-1000-R-24-C30	R	625nm	24VDC	52W	IP50	M8 4 pin w 300mm cable	200	1000	320	1057	147	Aluminum (Black, Anodized) & Steel (White, Painted)	120°	C
VL-TNL-200-1000-W-24-C30	W	6500K	24VDC	80W	IP50	M8 4 pin w 300mm cable	200	1000	320	1057	147	Aluminum (Black, Anodized) & Steel (White, Painted)	120°	C

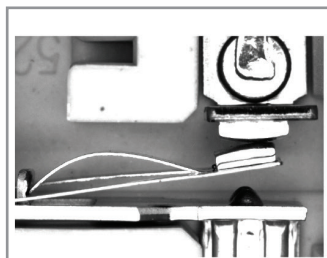
## Product Types

Model	Color	Wavelength/ Color Temperature	Power Supply	Power Consumption	IP Rating (Option: IP67)	Connection	A(mm)	B(mm)	C(mm)	D(mm)	E(mm)	Housing Material	Light Angle (°)	Type
VL-TNL-300-250-R-24-C30	R	625nm	24VDC	13W	IP50	M8 4 pin w 300mm cable	300	250	420	307	197	Aluminum (Black, Anodized) & Steel (White, Painted)	120°	C
VL-TNL-300-250-W-24-C30	W	6500K	24VDC	20W	IP50	M8 4 pin w 300mm cable	300	250	420	307	197	Aluminum (Black, Anodized) & Steel (White, Painted)	120°	C
VL-TNL-300-500-R-24-C30	R	625nm	24VDC	26W	IP50	M8 4 pin w 300mm cable	300	500	420	557	197	Aluminum (Black, Anodized) & Steel (White, Painted)	120°	C
VL-TNL-300-500-W-24-C30	W	6500K	24VDC	40W	IP50	M8 4 pin w 300mm cable	300	500	420	557	197	Aluminum (Black, Anodized) & Steel (White, Painted)	120°	C
VL-TNL-300-750-R-24-C30	R	625nm	24VDC	39W	IP50	M8 4 pin w 300mm cable	300	750	420	807	197	Aluminum (Black, Anodized) & Steel (White, Painted)	120°	C
VL-TNL-300-750-W-24-C30	W	6500K	24VDC	60W	IP50	M8 4 pin w 300mm cable	300	750	420	807	197	Aluminum (Black, Anodized) & Steel (White, Painted)	120°	C
VL-TNL-300-1000-R-24-C30	R	625nm	24VDC	52W	IP50	M8 4 pin w 300mm cable	300	1000	420	1057	197	Aluminum (Black, Anodized) & Steel (White, Painted)	120°	C
VL-TNL-300-1000-W-24-C30	W	6500K	24VDC	80W	IP50	M8 4 pin w 300mm cable	300	1000	420	1057	197	Aluminum (Black, Anodized) & Steel (White, Painted)	120°	C
VL-TNL-400-250-R-24-C30	R	625nm	24VDC	13W	IP50	M8 4 pin w 300mm cable	400	250	520	307	247	Aluminum (Black, Anodized) & Steel (White, Painted)	120°	C
VL-TNL-400-250-W-24-C30	W	6500K	24VDC	20W	IP50	M8 4 pin w 300mm cable	400	250	520	307	247	Aluminum (Black, Anodized) & Steel (White, Painted)	120°	C
VL-TNL-400-500-R-24-C30	R	625nm	24VDC	26W	IP50	M8 4 pin w 300mm cable	400	500	520	557	247	Aluminum (Black, Anodized) & Steel (White, Painted)	120°	C
VL-TNL-400-500-W-24-C30	W	6500K	24VDC	40W	IP50	M8 4 pin w 300mm cable	400	500	520	557	247	Aluminum (Black, Anodized) & Steel (White, Painted)	120°	C
VL-TNL-400-750-R-24-C30	R	625nm	24VDC	39W	IP50	M8 4 pin w 300mm cable	400	750	520	807	247	Aluminum (Black, Anodized) & Steel (White, Painted)	120°	C
VL-TNL-400-750-W-24-C30	W	6500K	24VDC	60W	IP50	M8 4 pin w 300mm cable	400	750	520	807	247	Aluminum (Black, Anodized) & Steel (White, Painted)	120°	C
VL-TNL-400-1000-R-24-C30	R	625nm	24VDC	52W	IP50	M8 4 pin w 300mm cable	400	1000	520	1057	247	Aluminum (Black, Anodized) & Steel (White, Painted)	120°	C
VL-TNL-400-1000-W-24-C30	W	6500K	24VDC	80W	IP50	M8 4 pin w 300mm cable	400	1000	520	1057	247	Aluminum (Black, Anodized) & Steel (White, Painted)	120°	C

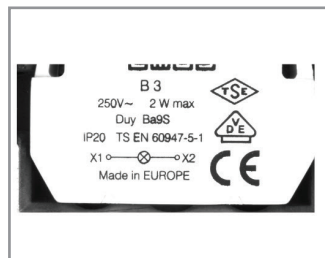
## Sample Applications



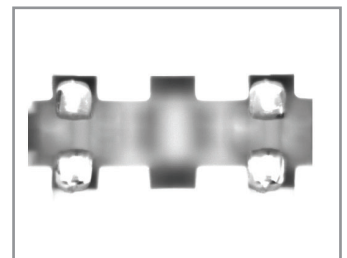
Solar panel inspection, large area positioning



Shiny surface inspection



Part mark read with diffuse lighting



Shiny part positioning, inspection

## Accessories

	Suitable Product	Ordering Code	Accessories Image
1	VL-TNL-37-70-R-24-C30	VL-TNL-BR-01	
2	VL-TNL-37-70-W-24-C30		
3	VL-TNL-37-70-R-24-C30	VL-TNL-BR-02	
4	VL-TNL-37-70-W-24-C30		

## Dip Switch Setup

	Light ON Position Percentage	Light Intensity	Accessories Image
	ON : % 100 OFF : % 0 (Standard High Intensity)		Can be used without strobe, continuous illumination mode
	ON : % 85 OFF : % 15		Due to high illumination settings, use this mode only with strobe input with given ON/OFF percentage.
	ON : % 72 OFF : % 28		Due to high illumination settings, use this mode only with strobe input with given ON/OFF percentage.
	ON : % 60 OFF : % 40		Due to high illumination settings, use this mode only with strobe input with given ON/OFF percentage.
	ON : % 50 OFF : % 50 (Ultra high light Intensity)		Due to high illumination settings, use this mode only with strobe input with given ON/OFF percentage.

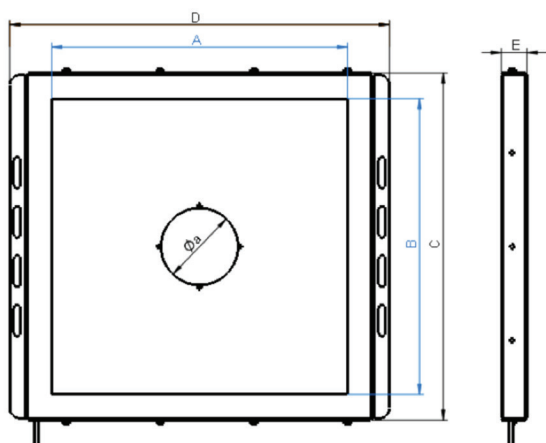
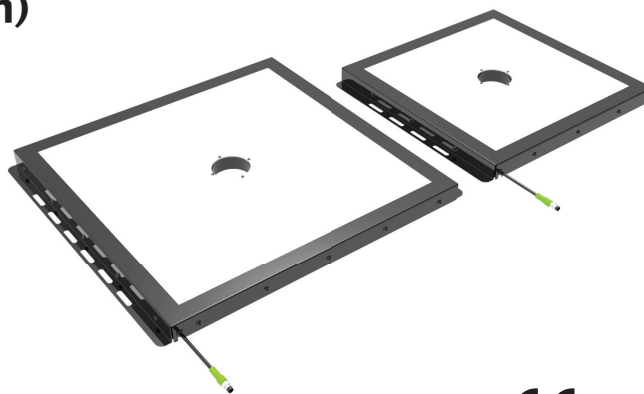
## Electrical Connection

	Cable	Ordering Code	Drawing/Connection
1	M8 female 0° with cable PVC 4x0.25 bk UL/CSA 3m	7000-08061-6110300	 <b>connection without STROBE</b> 1 brown (+) 2 white not connected 4 black not connected 3 blue (-) Female connector diagram
2	M8 female 0° with cable PVC 4x0.25 bk UL/CSA 5m	7000-08061-6110500	 <b>connection with STROBE</b> 1 brown (+) 2 white (strobe GND) 4 black (strobe+) 3 blue (-) Female connector diagram
3	M8 female 90° with cable PVC 4x0.25 bk UL/CSA 3m	7000-08101-6110300	 <b>connection without STROBE</b> 1 brown (+) 2 white not connected 4 black not connected 3 blue (-) Female connector diagram
4	M8 female 90° with cable PVC 4x0.25 bk UL/CSA 5m	7000-08101-6110500	 <b>connection with STROBE</b> 1 brown (+) 2 white (strobe GND) 4 black (strobe+) 3 blue (-) Female connector diagram

Just type A has connection with STROBE.

## VL-FLD Large Area Flat Dome Light (300 to 1000mm)

- Diffuse light with camera hole for dome effect
- Special design for special applications
- Hole position, design can be changed on request.



### Features

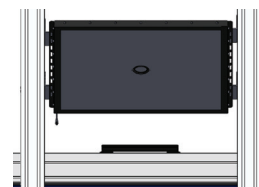
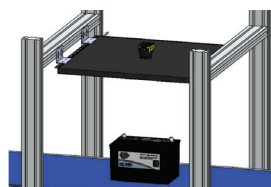
Polycarbonate diffuser with high light transfer



Different camera viewing options



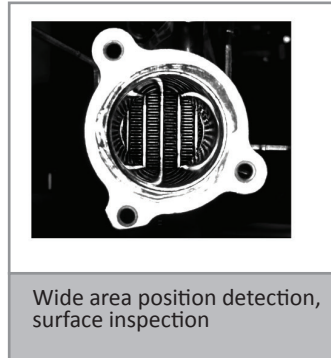
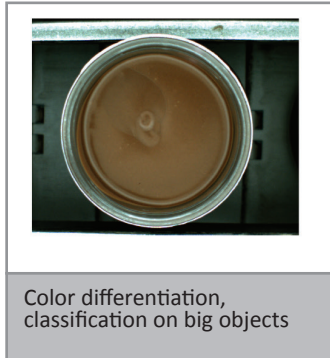
### How to use



### Product Types

Model	Color	Wavelength/Color Temperature	Power Supply	Power Consumption	IP Rating (Option: IP67)	Connection	A(mm)	B(mm)	C(mm)	D(mm)	E(mm)	Housing Material	Light Angle (°)	Ø (mm)
VL-FLD-300-300-W-24-C30	W	6500K	24VDC	24W	IP50	M8 4 pin w 300mm cable	300	300	352	385	26	Steel (Black, Painted)	180°	55
VL-FLD-400-400-W-24-C30	W	6500K	24VDC	34W	IP50	M8 4 pin w 300mm cable	400	400	452	485	26	Steel (Black, Painted)	180°	55
VL-FLD-500-500-W-24-C30	W	6500K	24VDC	43W	IP50	M8 4 pin w 300mm cable	500	500	552	585	26	Steel (Black, Painted)	180°	78
VL-FLD-600-600-W-24-C30	W	6500K	24VDC	50W	IP50	M8 4 pin w 300mm cable	600	600	652	685	26	Steel (Black, Painted)	180°	78
VL-FLD-700-700-W-24-C30	W	6500K	24VDC	70W	IP50	M8 4 pin w 300mm cable	700	700	752	785	26	Steel (Black, Painted)	180°	78
VL-FLD-800-800-W-24-C30	W	6500K	24VDC	80W	IP50	M8 4 pin w 300mm cable	800	800	852	885	26	Steel (Black, Painted)	180°	78
VL-FLD-900-900-W-24-C30	W	6500K	24VDC	90W	IP50	M8 4 pin w 300mm cable	900	900	952	985	26	Steel (Black, Painted)	180°	78
VL-FLD-1000-1000-W-24-C30	W	6500K	24VDC	100W	IP50	M8 4 pin w 300mm cable	1000	1000	1052	1085	26	Steel (Black, Painted)	180°	78

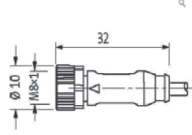
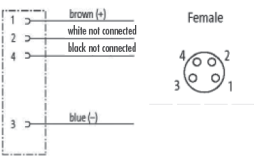
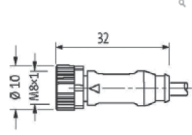
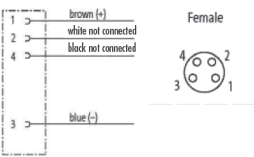
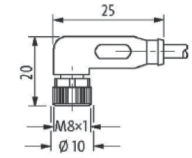
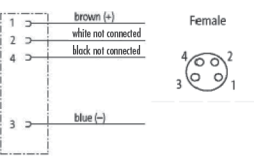
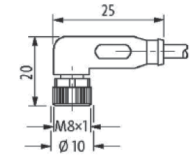
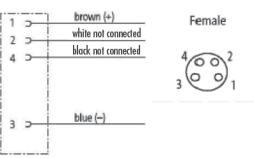
## Sample Applications



## Accessories

	Suitable Product	Ordering Code	Accessories Image
1	VL-FLD Series	VL-BLA-BR-01	

## Electrical Connection

	Cable	Ordering Code	Drawing/Connection
1	M8 female 0° with cable PVC 4x0.25 bk UL/CSA 3m	7000-08061-6110300	 
2	M8 female 0° with cable PVC 4x0.25 bk UL/CSA 5m	7000-08061-6110500	 
3	M8 female 90° with cable PVC 4x0.25 bk UL/CSA 3m	7000-08101-6110300	 
4	M8 female 90° with cable PVC 4x0.25 bk UL/CSA 5m	7000-08101-6110500	 



# FÖGE

Industrial Equipments



[www.fogegmbh.com](http://www.fogegmbh.com)



[info@fogegmbh.com](mailto:info@fogegmbh.com)



FÖGE ELEKTRONIK GMBH  
Presentstr. 3,  
63939 Wörth am Main



+49 9372 9809477